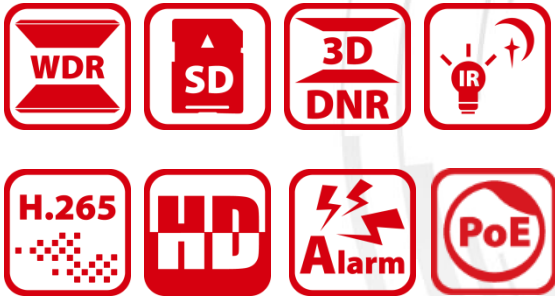


iDS-2PT9122IX-D/S (5-50mm) (4mm) DeepInview Series 2MP + 2MP 10× Network PTZ Camera



Hikvision iDS-2PT9122IX-D/S (5-50mm) (4mm) DeepInview Series 2MP + 2MP 10× Network PTZ Camera, with the integration design, is able to capture distant view images as well as close-up images.

This series of camera can be widely used for wide ranges of high-definition, such as the entrance/exit, airport, port, wharf, reservoir, square, park, scenic spot and station, etc.



Key Features

Distant View Camera

- 1/2.7" progressive scan CMOS
- Up to 1920 × 1080 resolution
- Horizontal field of view: 92°
- Min. illumination:
Color: 0.002 Lux@(F1.2, AGC ON),
B/W: 0.0002 Lux@(F1.2, AGC ON)

Tracking PTZ Camera

- 1/2.7" progressive scan CMOS
- Up to 1920 × 1080 resolution
- Horizontal field of view: 61.3° to 6.26°
- Pan and tilt range: 210° (Pan), -22° o 22° (Tilt)
- Min. illumination:
Color: 0.0035 Lux@(F1.6, AGC ON)
0 Lux with IR
- 10× Optical Zoom, 16× Digital Zoom



Specification

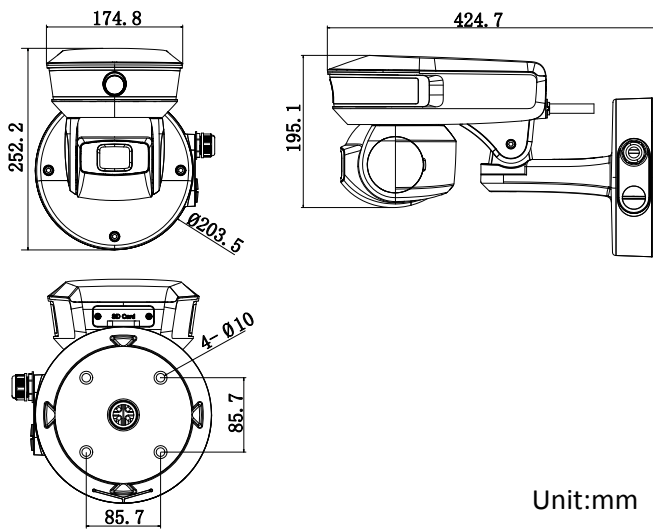
Camera Module	
iDS-2PT9122IX-D/S (5-50mm) (4mm) Deepinview Series 2MP + 2MP 10× Network PTZ Camera	
One-touch Link	Support
Tracking Mode	Manual/Auto
Multiple Targets Tracking	Support
Calibration Mode	Auto/Manual
Target Switch Time	<1 s
Calibration	Manual/Auto
Smart Detection	Detects human automatically.
Tracking Time Settings	Support
Distant View Camera	
Image Sensor	1/2.7" Progressive Scan CMOS
Min. Illumination	Color: 0.002 Lux@(F1.2, AGC ON), B/W: 0.0002 Lux@(F1.2, AGC ON)
Focal Length	4.0 mm
Aperture	F1.2
Horizontal FOV	92°
S/N Ratio	>52 dB
3D DNR	Support
Smart Image Enhancement	WDR, Defog, HLC, EIS, BLC, HLC
Smart Detection	Audio Exception Detection, Motion Detection, Video Tampering Detection
Video Compression	H.265+/H.265/H.264+/H.264/MJPEG
Main Stream Resolution	50Hz: 25fps (1920 × 1080, 1280 × 960, 1280 × 720) 50fps (1920 × 1080, 1280 × 960, 1280 × 720) 60Hz: 30fps (1920 × 1080, 1280 × 960, 1280 × 720) 60fps (1920 × 1080, 1280 × 960, 1280 × 720)
Sub-Stream Resolution	50Hz: 25fps (704 × 576, 640 × 480, 352 × 288) 60Hz: 30fps (704 × 480, 640 × 480, 352 × 240)
Third Stream Resolution	50Hz: 25fps (1920 × 1080, 1280 × 960, 1280 × 720, 704 × 576, 640 × 480, 352 × 288) 60Hz: 30fps (1920 × 1080, 1280 × 960, 1280 × 720, 704 × 480, 640 × 480, 352 × 240)
Tracking PTZ Camera	
Image Sensor	1/2.7" Progressive Scan CMOS
Min. Illumination	Color: 0.0035 Lux@(F1.6, AGC ON), 0 Lux with IR
S/N Ratio	>55 dB
3D DNR	Support
IR	IR distance: 100 m; IR brightness and angle are adjustable.
Smart Image Enhancement	WDR, Defog, HLC, EIS, Smart IR, BLC
Focal Length	5 mm to 50 mm, 10× optical zoom
Zoom Speed	Approx.2.4 s (Optical Wide-Tele)
Horizontal FOV	61.3° to 6.26° (Wide-Tele)
Elevation Angle	-15° to 90°
Min. Working Distance	10 mm to 1500 mm (Wide-Tele)
Aperture Range	F1.6 to F3.0
Pan and Tilt Range	Pan: 210°, Tilt: -22° to 22°
Pan and Tilt Speed	Pan Manual Speed: 0.1°/s to 200°/s (Configurable), Pan Preset Speed: 300°/s Tilt Manual Speed: 0.1°/s to 120°/s (Configurable), Tilt Preset Speed: 120°/s
Preset Number	300
Patrol	8 patrols, up to 32 presets per patrol
Park Action	Preset/Patrol Scan/Auto Scan/Tilt Scan/Random Scan/Frame Scan/Panorama Scan

Scheduled Task	Preset/Patrol Scan/Auto Scan/Tilt Scan/Random Scan/Frame Scan/Panorama Scan/Dome Reboot/Dome Adjust/Aux Output
Power-off Memory	Support
Video Compression	H.265+/H.265/H.264+/H.264/MJPEG
Main Stream Resolution	50Hz: 25fps (1920 × 1080, 1280 × 960, 1280 × 720) 50fps (1920 × 1080, 1280 × 960, 1280 × 720) 60Hz: 30fps (1920 × 1080, 1280 × 960, 1280 × 720) 60fps (1920 × 1080, 1280 × 960, 1280 × 720)
Sub-Stream Resolution	50Hz: 25fps (704 × 576, 640 × 480, 352 × 288) 60Hz: 30fps (704 × 480, 640 × 480, 352 × 240)
Third Stream Resolution	50Hz: 25fps (1920 × 1080, 1280 × 960, 1280 × 720, 704 × 576, 640 × 480, 352 × 288) 60Hz: 30fps (1920 × 1080, 1280 × 960, 1280 × 720, 704 × 480, 640 × 480, 352 × 240)
Audio Compression	G.711alaw/G.711ulaw/G.722/G.726/MP2L2/PCM
Network	
Protocols	IPv4/IPv6, HTTP, HTTPS, 802.1x, Qos, FTP, SMTP, UPnP, SNMP, DNS, DDNS, NTP, RTSP, RTCP, RTP, TCP, UDP, IGMP, ICMP, DHCP, PPPoE, Bonjour
API	Open-ended, support ONVIF, PSIA and CGI, support HIKVISION SDK and Third-Party Management Platform
System Integration	
Network Interface	1 RJ45 10 M/100 M Ethernet Interface/Hi-PoE
Alarm Input/ Output	1-ch alarm input and 1-ch alarm output, support alarm linkage: Memory Card Recording/Aux Output/Notify Surveillance Center/Upload to FTP/Send Email
Audio Input/ Output	1-ch audio input and 1-ch audio output
Memory Card	Built-in memory card slot, support Micro SD/SDHC/SDXC (up to 128 GB)
General	
Power Supply	12 VDC & Hi-PoE
Power Consumption	45 W Max. (IR 6 W Max.)
Working Temperature	Outdoor: -40°C to 70°C (-40°F to 158°F)
Working Humidity	≤ 90%
Protection Level	IP66 Standard, TVS 6000 V Lightning Protection, Surge Protection and Voltage Transient Protection
Dimension	Φ195.1 mm × 280.8 mm (Φ7.68" × 11.06")
Weight	Approx. 2.5 kg (5.51 lb)

Available Model

iDS-2PT9122IX-D/S (5-50mm) (4mm)

Dimension



Unit:mm

Accessories



DS-2664ZJ

Pendant Mounting Bracket