

**DS-2DP1636Z-D**

**PanoVu series 16MP 360°Panoramic+PTZ Camera**



Hikvision PanoVu series DS-2DP1636Z-D panoramic + PTZ cameras, with its integration design, are able to capture panoramic images as well as close-up images to give consideration to both panorama and details. The panoramic images are captured by four sensors, which could realize 360°panorama monitoring. The design of integration model and high speed PTZ offers the function of fast detail positioning over panoramic area.

Furthermore, with its advanced video analysis and multiple targets tracking algorithm, PanoVu cameras also feature a wide range of smart functions for multiple targets within the panoramic view filed, including intrusion detection, line crossing detection, region entrance detection, region exiting detection. The cameras could also output alarm signals to linkage the PTZ for tracking, benefitting users with great improvement on security efficiency.

- 1/1.9" Progressive Scan CMOS
- 360° view angle
- Up to 2 × 4096 × 1800@30fps
- Support
- 36X optical zoom, 16X digital zoom
- WDR
- 3D intelligent positioning function
- 30VDC power supply
- IP66



## Function Description

### Panoramic Camera

- 8 1/1.9" Progressive Scan CMOS, up to 2 × 4096 × 1800 resolution @30fps
- Horizontal angle of view: 360° , Vertical angle of view: 78°
- Min. Illumination: 0.002Lux@(F1.8,AGC ON)(Color), 0.0002Lux@(F1.8,AGC ON)(B/W)

### Tracking Camera

- 1/1.9" Progressive Scan CMOS, up to 1920 × 1080 resolution @30fps
- 360° endless pan range and -15°~ 90° tilt range
- Min. Illumination: 0.005Lux@(F1.5,AGC ON)(Color), 0.0005Lux@(F1.5,AGC ON)(B/W)
- 36X optical zoom, 16X digital zoom

### Basic function

- H.264/MJPEG/MPEG4 video compression
- H.264 encoding with Baseline/Main/High profile
- Onboard storage, up to 128GB
- Multiple network protocols supported: IPv4/Ipv6, HTTP, HTTPS, 802.1X, QoS, FTP, SMTP, UPnP, SNMP, DNS, DDNS, NTP, RTSP, RTP, TCP, UDP, IGMP, ICMP, DHCP, PPPoE
- 1 audio input and 1 audio output
- IP66 standard

### System function

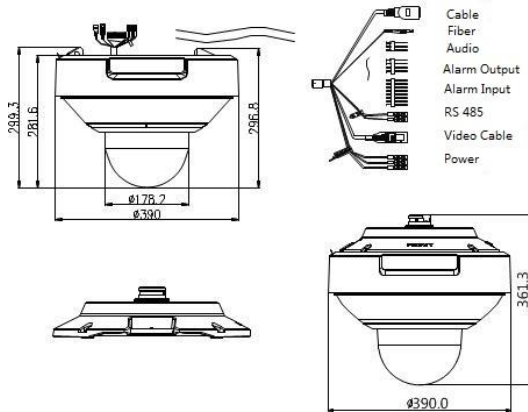
- Smart detection: support intrusion detection, line crossing detection, region entrance detection, and region exiting detection.
- Support detecting moving targets in a semicircular range in 300 m diameter. Up to 30 targets can be detected at the same time.
- Support One-touch Link. By clicking the client or choosing region at any position on the panoramic image, the tracking camera will automatically adjust to place the region at the center of the image.
- Support automatic target tracking function. By setting the rules of smart events, the cameras will steadily tracking moving targets which triggers event in the setting time.
- Support manually choosing tracking targets and steadily tracking in the setting time.
- Support multiple target automatically switch tracking, switching time less than 1s.
- Smart image processing: support WDR, HLC, Defog.
- Support ONVIF(Open Network Video Interface Forum), CGI(Common Gateway Interface), PSIA(Physical Security Interoperability Alliance), to ensure greater interoperability between different platforms and compatibility.
- 7 alarm input and 2 alarm output.
- Optional fiber cable and RJ-45 cable.

## Specifications

| <b>System Function</b>     |  |
|----------------------------|--|
| One-touch Link             | Support  |
| Tracking mode              | Manual/ Auto/ Mix  |
| Number of Targets          | Up to 60 targets can be detected at the same time  |
| Multiple Target Tracking   | Support  |
| Target switch time         | <1s  |
| Demarcate                  | Manual/ Auto   |
| Smart Detection            | Intrusion detection, Line crossing detection, Region entrance detection, Region exiting detection,   |
| Tracking Time              | Support  |
| Sensitivity                | Support  |
| <b>Panoramic Camera</b>    |  |
| Image Sensor               | 1/1.9" Progressive Scan CMOS   |
| Max. Image Resolution      | 2 × 4096 × 1800  |
| Min. Illumination          | Color: 0.002 Lux @ (F1.8, AGC ON), B/W: 0.0002Lux @ (F1.8, AGC ON)   |
| Lens                       | f5.0mm/ F1.8   |
| Angle of View              | Horizontal angle of view: 360° , Vertical angle of view: 78°   |
| Main Stream                | 50Hz: 25fps 2 ×(4096 × 1800, 3840 × 1680);<br>60Hz: 30fps 2 ×(4096 × 1800, 3840 × 1680)  |
| Sub Stream                 | 50Hz:25fps 2 ×(704 × 320);<br>60Hz:30fps 2 ×(704 × 320)  |
| Third Stream               | 50Hz:25fps 2 ×(1280 × 560);<br>60Hz:30fps 2 ×(1280 × 560)  |
| Image Compression          | H.264(Baseline, Main, High Profile)/MJPEG  |
| Others                     | WDR, HLC, 3D DNR   |
| <b>Tracking PTZ Camera</b> |  |
| Image Sensor               | 1/1.9" Progressive Scan CMOS   |
| Max. Image Resolution      | 1920 × 1080  |
| Min. Illumination          | Color: 0.005 Lux @ (F1.5, AGC ON), B/W: 0.0005Lux @ (F1.5, AGC ON)   |
| S/N Ratio                  | ≥55dB  |
| Focal Length               | 5.7 – 205.2mm, 36X   |
| Zoom Speed                 | Approx.6.6s (Optical Wide-Tele)  |
| Angle of View              | 58.7° - 2.0° (Wide-Tele)   |
| Min. Working Distance      | 10-1500mm(Wide-Tele)   |
| White Balance              | Auto / Manual /ATW/Indoor/Outdoor/Daylight lamp/Sodium lamp  |
| Day & Night                | IR Cut Filter  |
| Privacy Mask               | 24 privacy masks programmable; optional multiple colors and mosaics  |
| Optical Defog              | Support  |
| ROI encoding               | Support 24 areas with adjustable levels  |
| Main Stream                | 50Hz: 25fps (1920 × 1080, 1280 × 960, 1280 × 720)<br>60Hz: 30fps (1920 × 1080, 1280 × 960, 1280 × 720)                                       |
| Sub Stream                 | 50Hz:25fps (704×576, 352×288, 176×144)<br>60Hz:30fps (704×480, 352×240, 176×120)   |
| Third Stream               | 50Hz:25fps(1920×1080, 1280×960, 1280×720, 704×576, 352×288, 176×144)<br>60Hz:30fps(1920×1080, 1280×960, 1280×720, 704×480, 352×240, 176×120) |
| Image Compression          | H.264(Baseline, Main, High Profile)/MJPEG  |
| Others                     | Ture WDR, HLC, 3D DNR  |

| <b>Pan and Tilt (Tracking PTZ Camera)</b> |  |
|---|--|
| Range                                     | Pan: 360° endless; Tilt: -15°~ 90° (Auto flip)   |
| Speed                                     | Pan Manual Speed: 0.1°~300°/s, Pan Preset Speed: 540°/s<br>Tilt Manual Speed: 0.1°~240°/s, Tilt Preset Speed: 400°/s                                       |
| Number of Preset                          | 300  |
| Patrol                                    | 8 patrols, up to 32 presets per patrol   |
| Pattern                                   | 4 patterns, with the recording time not less than 10 minutes per pattern   |
| Park Action                               | Preset / Patrol / Pattern / Auto scan / Tilt scan / Random scan / Frame scan / Panorama scan   |
| Scheduled Task                            | Preset / Patrol / Pattern / Auto scan / Tilt scan / Random scan / Frame scan / Panorama scan/Dome reboot/Dome adjust/Aux output                            |
| Power-off memory                          | Support  |
| <b>Alarm</b>                              |  |
| Alarm I/O                                 | 7/2  |
| Alarm Trigger                             | Face detection, Audio exception detection, Motion detection, Dynamic analysis, Tampering alarm, Network disconnect, IP address conflict, Storage exception |
| Alarm Action                              | Preset / Patrol / Pattern / SD card recording/ Aux output/ E-map on Client/ Send Email/ Upload to FTP  |
| <b>Input /Output</b>                      |  |
| Monitor Output                            | 1.0V[p-p] / 75Ω, NTSC (or PAL) composite, BNC  |
| Audio Input                               | 1 Mic in/Line in interface, line input: 2-2.4V[p-p]; output impedance: 1KΩ, ±10%   |
| Audio Output                              | 1 Audio output interface, line level, impedance: 600Ω  |
| <b>Network</b>                            |  |
| Audio compression                         | G.711ulaw/G.711alaw/G.722/G.726/MP2L2/PCM  |
| Protocols                                 | IPv4/IPv6,HTTP,HTTPS,802.1x,Qos,FTP,SMTP,UPnP,SNMP,DNS,DDNS,NTP,RTSP,RTP,TCP,UDP,IGMP,ICMP, DHCP, PPPoE  |
| Application programming                   | ISAPI  |
| <b>System Integration</b>                 |  |
| Menu                                      | English  |
| User/Host Level                           | Up to 32 users,3 Levels: Administrator, Operator and User  |
| Security Measures                         | User authentication (ID and PW); Host authentication (MAC address); IP address filtering   |
| Web Browser                               | IE 7+, Chrome 18 +, Firefox 5.0 +, Safari 5.02 +, support multi-language   |
| Simultaneous Live View                    | Up to 20 users   |
| Fiber Cable                               | 1 10M/100M FC interface, TX1310 / RX1550nm wavelength, 20 km transmission distance   |
| Ethernet                                  | 1 RJ45 100M/1000M Ethernet interface   |
| CVBS Output                               | 1.0V[p-p] / 75Ω, NTSC (or PAL) composite, BNC  |
| RS485                                     | Half duplex, HIKVISION, Pelco-P, Pelco-D, self-adaptive  |
| Onboard Storage                           | Built-in Micro SD/SDXC card slot, up to 128GB, manual/alarm recording  |
| <b>General</b>                            |  |
| Power                                     | DC 30V, MAX. 120W  |
| Working Temperature/<br>Humidity          | -40 °C – 65 °C, Humidity 90% or less   |
| Protection Level                          | IP66 standard, TVS 6,000V lightning protection, surge protection and voltage transient protection  |
| Dimensions(mm)                            | Φ 390(mm)×361.3(mm)  |
| Weight                                    | 20kg (approx.)   |
| Mount Option                              | Wall mount: DS-1603ZJ; Pendant mount: DS-1668ZJ (20); Ceiling Mount: DS-1668ZJ   |

## Dimensions



## Accessories



DS-1603ZJ  
Wall Mount



DS-1668ZJ  
Ceiling Mount



DS-1668ZJ (20)  
Pendant Mount

Distributed by



### Headquarters

No.555 Qianmo Road, Binjiang District,  
Hangzhou 310051, China  
T +86-571-8807-5998  
overseasbusiness@hikvision.com

### Hikvision Poland

T +48-22-460-01-50  
poland@hikvision.com

### Hikvision USA

T +1-909-895-0400  
sales.usa@hikvision.com

### Hikvision India

T +91-22-28469900  
sales@pramahikvision.com

### Hikvision UK

T +44-1628-9021-4  
support.uk@hikvision.com

### Hikvision Europe

T +31-23-5542770  
saleseuro@hikvision.com

### Hikvision Italy

T +39-0438-6902  
info.it@hikvision.com

### Hikvision Singapore

T +65-6684-4718  
sg@hikvision.com

### Hikvision Middle East

T +971-4-8816086  
salesme@hikvision.com

### Hikvision France

T +33(0)1-85-330-444  
info.fr@hikvision.com

### Hikvision Oceania

T +61-2-8599-4233  
salesau@hikvision.com

### Hikvision Russia

T +7-495-669-67-99  
saleru@hikvision.com

### Hikvision Spain

T +34-91-737-16-55  
info.es@hikvision.com

### Hikvision Hong Kong

T +852-2151-1761