



DS-19K00-B(X)

LED Alarm Keypad

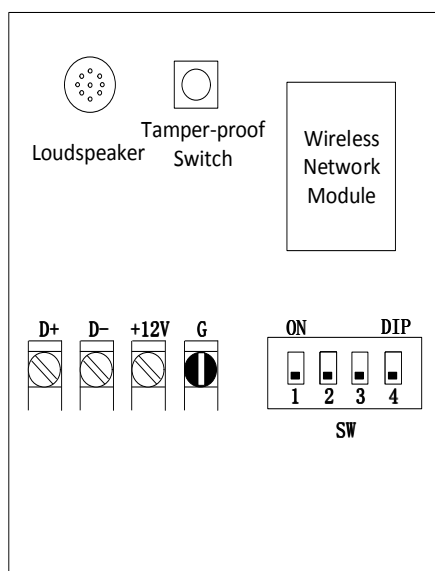


DS-19K00-B(X) is a series of LED alarm keypads (with 8/16 zones) for connecting to the security control panel. The keypad with model of RF supports remote control via wireless network. It implements operations on the security control panel through programming and prompts alarm with the indicators and audio alert.



DS-19K00-B(RF)

DS-19K00-B(16RF)





When it is black on the end of **ON** as , indicated 1; when it is black on the other end as , indicated 0.

Keyboard Address

Address	ON		DIP	
↓	1	2	3	4
00				
01	■			
02		■		
03	■	■		

Keyboard Address

Address	ON		DIP	
↓	1	2	3	4
04			■	
05	■		■	
06		■	■	
07	■	■	■	

Keyboard Address

Address	ON		DIP	
↓	1	2	3	4
08				■
09	■			■
10		■		■
11	■	■		■

Keyboard Address

Address	ON		DIP	
↓	1	2	3	4
12			■	■
13	■		■	■
14		■	■	■
15	■	■	■	■



- The security control panel should be powered off;
- Each alarm keypad of security control panel should have an individual address that cannot be repeated;
- Set the address of the keypad with DIP switch before the control panel being powered on, the value of address can be any number between 0~15;
- Remote control keypad support at most 32 remote controllers.