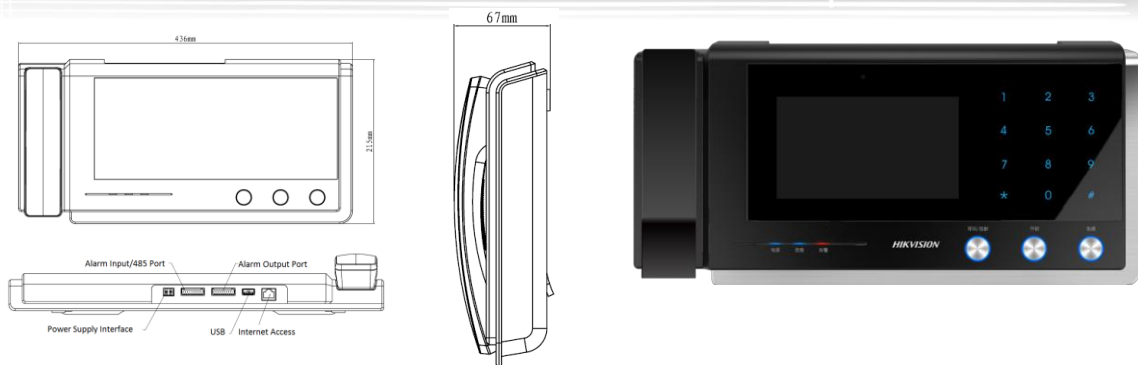


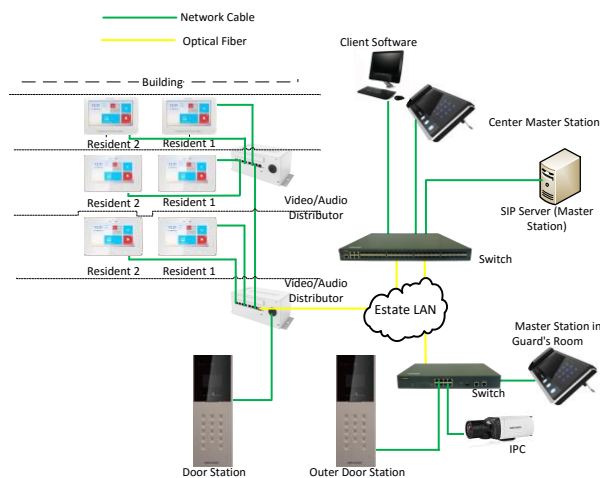
DS-KM8301

Master Station



DS-KM8301

- Glass panel and aluminum-alloy bracket
- Supports video intercom
- Supports live view of door stations and IP cameras
- Noise suppression and echo cancellation
- Supports hands-free mode
- Alarm processing function
- Supports remote unlocking door function
- Supports on-table mode and wall-mounted mode



Model	DS-KM8301	
System Parameters	Processor	High-Performance Embedded SOC Processor
	Operation System	Embedded Linux Operation System
Video Parameters	Camera	CMOS 0.3MP
	Video Compression Standards	H.264
	Resolution	1280 × 720
	Video Frame	12.5 fps
Display Parameters	Display Screen	7-Inch Colorful TFT LCD
	Resolution	1024×600
	Operation Method	Capacitive Touch Screen, Touch Key, Physical Button
	Operation Interface	Flattened UI Operation Interface
Audio Parameters	Audio Input	Built-in Omnidirectional Microphone + External Handset
	Audio Output	Built-in Loudspeaker + External Handset
	Audio Compression Standard	G.711U
	Audio Compression Rate	64Kbps
	Audio Quality	Noise Suppression and Echo Cancellation
Network Parameters	Ethernet	1 RJ45 10M/100M/1000M Self-Adaptive Ethernet
	Network Protocol	TCP/IP, SNMP, SIP, RTSP
Device Interfaces	Internet Access	1 RJ45 10M/100M/1000M Self-Adaption Internet Access
	RS485	2 RS485 Half-Duplex Ports

Model	DS-KM8301	
Parameters		
	USB	1 USB Interface for Inserting U-Disk
	I/O Input	4 On-Off Input
	I/O Output	2 On-Off Output, 2 Relay Output
Other Parameters	Material	Plastic
	Power Supply	DC 12V
	Consumption	≤10W
	Working Temperature	-10°C to +55°C (14°F to 131°F)
	Working Humidity	10%-90%
	Dimension	436 mm × 215 mm × 67 mm (17.2" × 8.5" × 2.6")
	Certification	FCC, CE