

# DS-KV8102-IP/VP

Plastic Villa Door Station

## MODEL

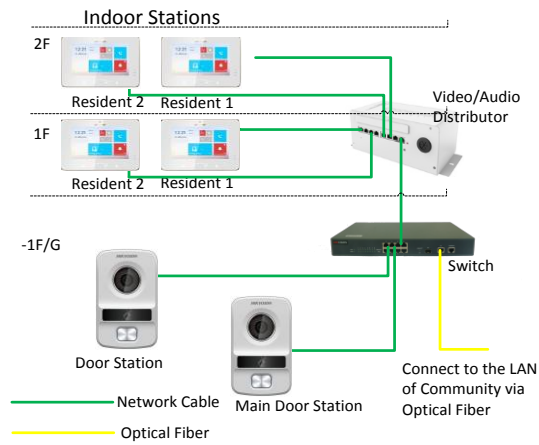
DS-KV8102-IP  
DS-KV8102-VP



## MAIN FEATURES

- Video intercom function
- HD video surveillance (Max. resolution: 1280×720@25fps, WDR, 120° wide angle)
- Self-adaptive light supplement
- Access control function
- Activating card via local station function (This function will be invalid if the card has been activated via iVMS-4200)
- Auto-uploading captured pictures to FTP or iVMS-4200 Client while unlocking the door
- Door magnetic alarm and tamper-proof alarm function
- Noise suppression and echo cancellation
- Remote upgrade, batch setting functions

## TYPICAL APPLICATION



## SPECIFICATION

Parameters		Model	DS-KV8102-IP	DS-KV8102-VP
		<b>System Parameters</b>	Processor	High-Performance Embedded SOC Processor
	Operation System	Embedded Linux OS		
<b>Video Parameters</b>	Camera	CMOS Low Illumination 1.3 MP HD Colorful Camera		
	Video Compression Standards	H.264		
	Resolution	1280 × 720		
	Video Frame	25 fps		
<b>Audio Parameters</b>	Audio Input	Built-in Omnidirectional Microphone		
	Audio Output	Built-in Loudspeaker		
	Audio Compression Standard	G.711 U		
	Audio Compression Rate	64 Kbps		
	Audio Quality	Noise Suppression and Echo Cancellation		
<b>Access Control Parameters</b>	Internal Card Reader	Built-in Card Reader		
	Door Button	Door Button for opening the Door		
	NO/NC	Supporting NO/NC Status Settings		
	Door Magnetic Detection	Detecting Door Magnetic Status		
<b>Light Supplement</b>	Light Supplement Mode	IR Supplement	Visible Light Supplement	

Parameters		Model	DS-KV8102-IP	DS-KV8102-VP
Network Parameters	Ethernet	10M/100M Self-Adaptive Ethernet		
	Network Protocol	TCP/IP, SNMP, SIP, RTSP		
Alarm Parameters	Alarm Input	Door Magnetic Alarm; Tampering Alarm		
Device Interfaces	Internet Interface	1 RJ45 10M/100M Self-Adaptive Ethernet Interface		
	RS485	1 RS485 Half-duplex Port		
	I/O Input	4		
	I/O Output	1		
Other Parameters	Material	Plastic		
	Power Supply	Power Over Network Cable (DS-KAD606, DS-KAD612)/12 VDC		
	Consumption	≤10 W		
	Working Temperature	-40° C to +70° C (-40° F to 158° F)		
	Working Humidity	10% - 90%		
	IP Protection Level	IP65		
	Dimension	164 mm × 97 mm × 40.6 mm (6.46 × 3.82× 1.60")		
Certification	FCC, CE			