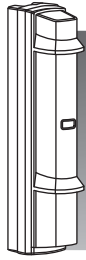


INSTALLATION INSTRUCTIONS



Smart Line™ series OPTION

BACK COVER

BC-4

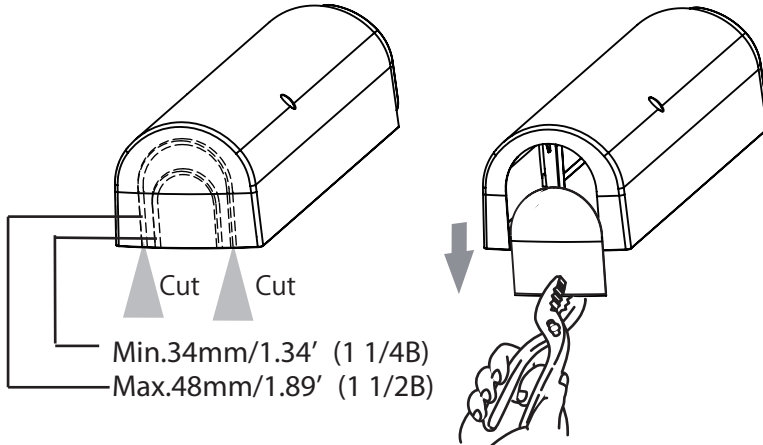
-Hide the pole and wiring on the back side of the detector for tidier appearance.

PARTS IDENTIFICATION

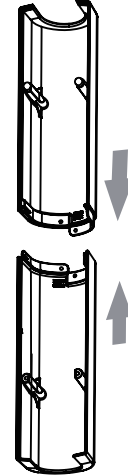
Cover : 4 , 4x20 Self tapping : 8

1 INTRODUCTION

1 Open the hole for the mounting pole.

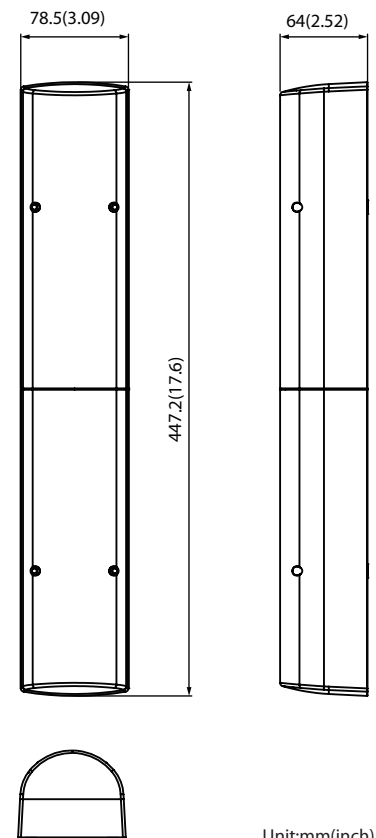
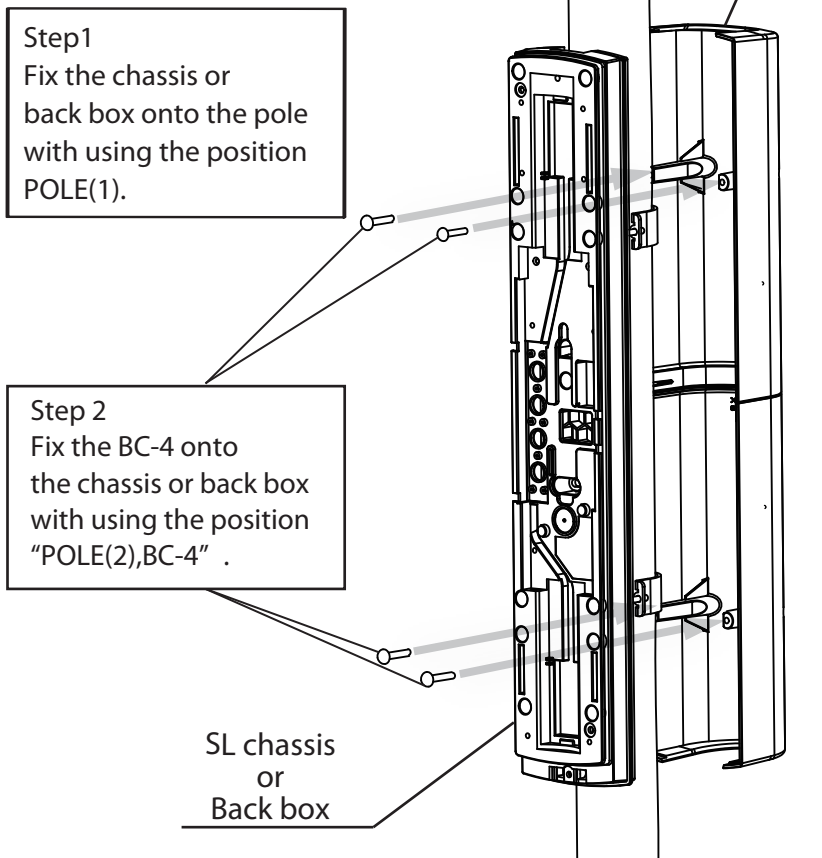


2 Joint both of BC-4.



3 Fix the chassis and BC-4.

2 DIMENSIONS



OPTEx CO., LTD. (JAPAN)
(ISO 9001 Certified)
(ISO 14001 Certified)
5-8-12 Ogoto Otsu
Shiga 520-0101
JAPAN
TEL:+81-77-579-8670
FAX:+81-77-579-8190
URL:<http://www.optex.co.jp/e/>

OPTEx INCORPORATED (USA)
TEL:+1-909-993-5770
Tech:(800)966-7839
URL:<http://www.optexamerica.com/>

OPTEx (EUROPE) LTD. (UK)
TEL:+44-1628-631000
URL:<http://www.optex-europe.com/>

OPTEx SECURITY SAS (FRANCE)
TEL:+33-437-55-50-50
URL:<http://www.optex-security.com/>

OPTEx SECURITY Sp.z o.o. (POLAND)
TEL:+48-22-598-06-55
URL:<http://www.optex.com.pl/>

OPTEx KOREA CO., LTD. (KOREA)
TEL:+82-2-719-5971
URL:<http://www.optexkorea.com/>

OPTEx (DONGGUAN) CO., LTD. SHANGHAI OFFICE (CHINA)
TEL:+86-21-34600673
URL:<http://www.optexchina.com/>