

# COMPACT OUTDOOR DETECTOR *fit* series



fit for ALL

COMPACT  
OUTDOOR  
DETECTOR  
**fit**  
series



# amplification through simplification



fit at home

# Compact design & Flexibility



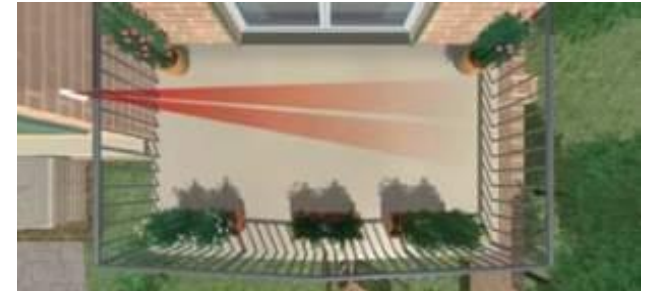
## Compact design

Security is important but I don't want to disturb how my house looks.



## Flexibility

"fit" is the perfect option for a balcony with greens because its detection area is so flexible.





fit at window



fit at poolside





fit at garage



fit at sidewalk





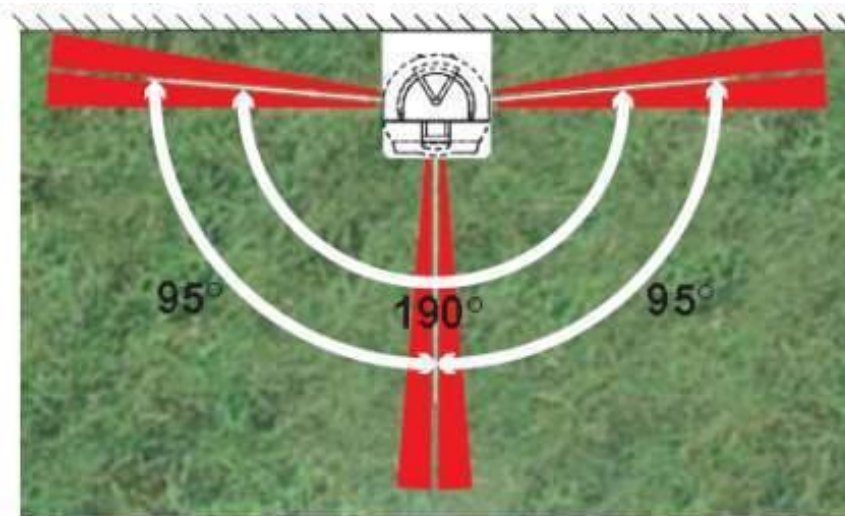
# fit at balcony



fit at front entrance



## Built in bracket (190° )



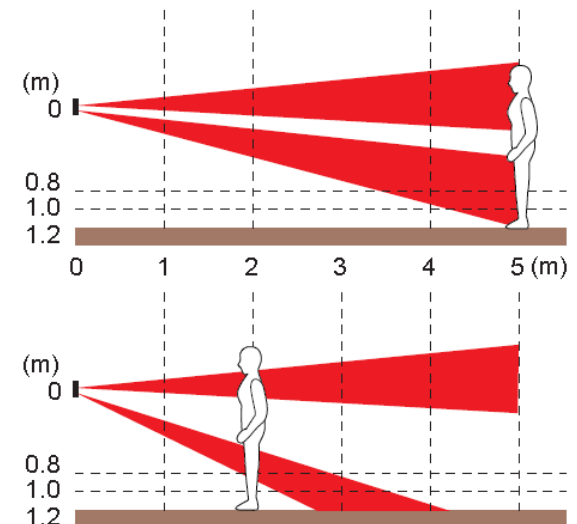
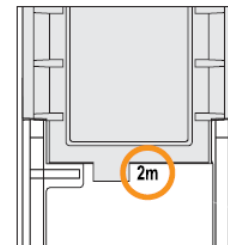
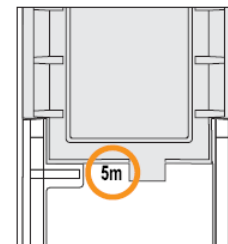
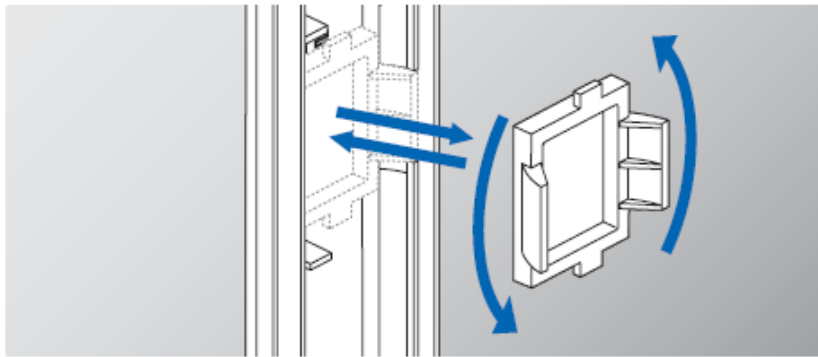
Built-in bracket enables horizontal alignment of 190 degrees.

Unwanted object can be avoided with ease.



# Product features

## 5m/2m switchable lens



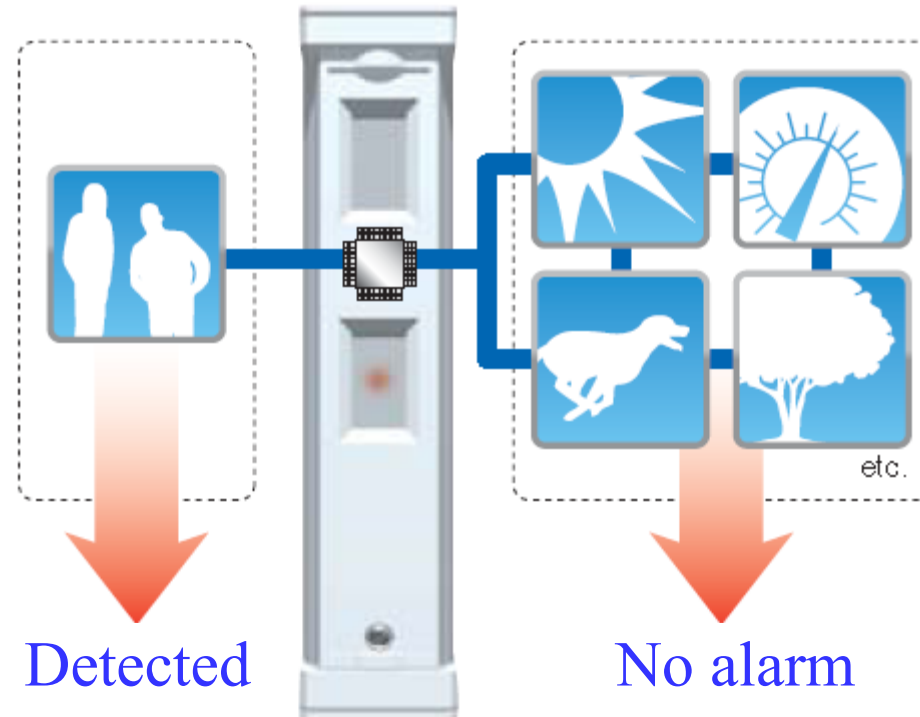
Changing the detection length is easy.

Adjust the mounting height or simply turn the lens upside down.

# Product features



## SMDA Logic



SMDA(Super Multi Dimension analysis) Logic brought the ultimate sensitivity optimization. Every motion is analyzed before signaling an alarm to reduce false and missed detections. Consequently environment reaction capability becomes 24 times more.

# Battery operated model

## FTN-R/RAM



Save installation time and cost

FTN-R/RAM are battery operated model and therefore requires no complicated wiring.

It saves installation time and cost.



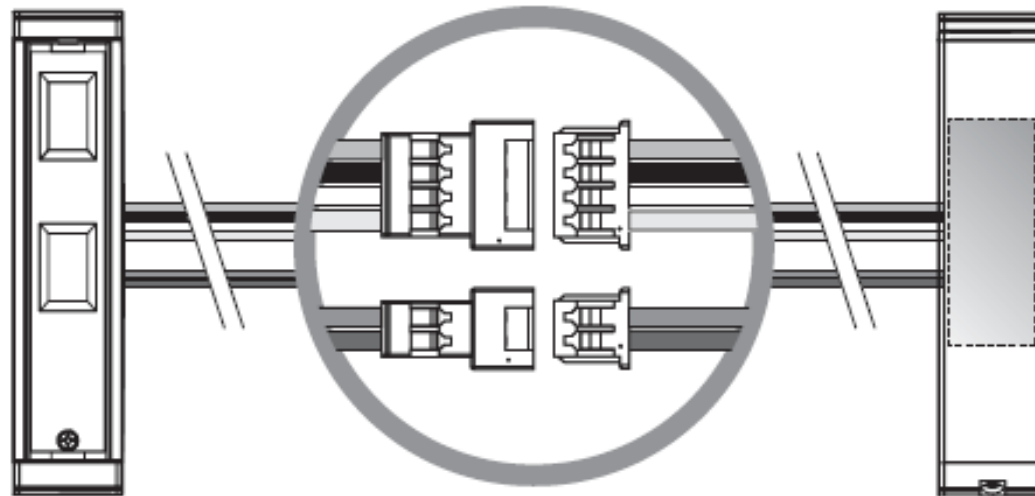
**Maximum transmitter size**

H130 X W30 X D35mm

(H5.12" X W1.18 X 1.38)



## Easy connection



FTN-R/RAM can be connected to the transmitter with connectors.

It makes installation and battery replacement much easier and quicker.

# Battery operated model

**Stacking model  
method**



**Top-to-bottom  
method**



**Side-by-side  
method**



# OPTION

## Wall tamper (WRS-03)

for FTN-R/RAM



## Wall tamper (WRS-02)

for FTN-ST/AM







**Sensing Innovation**

# Model

## FTN-ST/AM



- Digital Anti-masking (AM only)
- 5m/2m narrow range
- 190° horizontal flexibility
- perfect pet immunity
- Super Multi Dimension Analysis Logic
- Double conductive shielding
- Intelligent AND logic

## FTN-R/RAM



- complete battery operation
- Digital Anti-masking (RAM only)
- 5m/2m narrow range
- 190° horizontal flexibility
- perfect pet immunity
- Super Multi Dimension Analysis Logic
- Double conductive shielding
- Intelligent AND logic

# SPECIFICATIONS



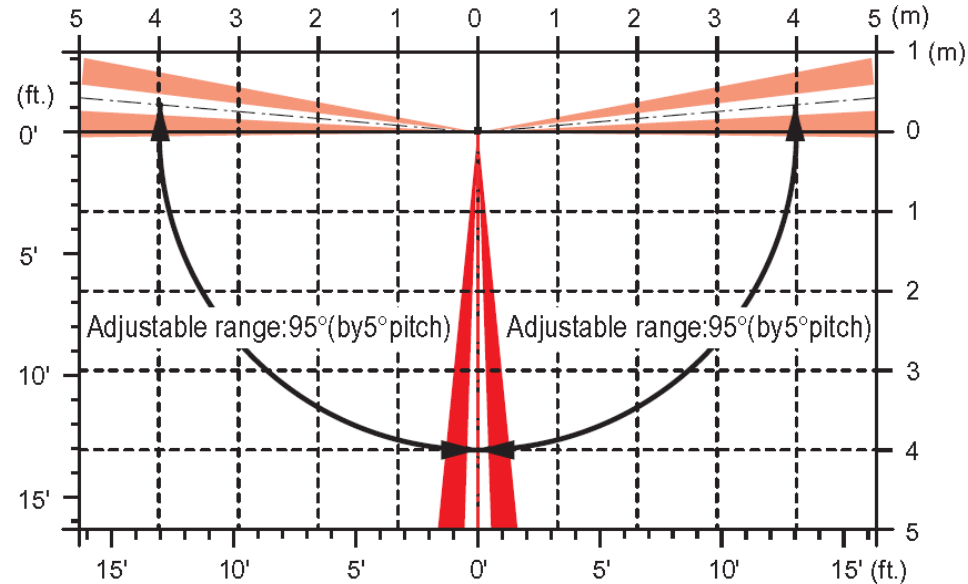
Model	FTN-ST	FTN-AM	FTN-R	FTN-RAM
Detection method	Passive infrared			
PIR coverage	5×1m (16'5"×3'3")			
Detection length limit	2 m, 5 m (6'7", 16'5")			
Detectable speed	0.3 - 1.5 m/s (1' - 4'11"/s)			
Sensitivity	2.0°C (at 0.6 m/s) (3.6°F (at 2'/s))			
Operation voltage	9.5 - 18 V DC		2.5 - 10 V DC	
Power input	-		3 - 9 V DC (Lithium or Alkaline Battery)	
Current draw	17mA(max.) (at 12 V DC)	20mA(max.) (at 12 V DC)	9 $\mu$ A(at stand-by) / 3mA(max.)(at 3 V DC)	10 $\mu$ A(at stand-by) / 3mA(max.)(at 3 V DC)
Alarm period	2.0 ±1.0sec.			
Warm-up period	Approx. 60 sec. (LED blinks)		Approx. 120 sec. (LED blinks)	
Alarm output	N.C./N.O. Selectable 28 V DC 0.1 A (max.)		N.C./N.O. Selectable-Solid State Switch 10 V DC 0.01 A(max.)	
Trouble output	N.C. 28 V DC 0.1 A (max.), open when the cover is removed.		N.C./N.O. Selectable-Solid State Switch 10 V DC 0.01 A(max.)	
LED indicator	Light/Blink: Warm-up, alarm, masking detection (FTN-AM only)		Enable: During DIP switch 1 (WALK TEST MODE) or DIP switch 4 (LED) ON Disable: During normal operation Light/Blink: Warm-up, alarm, masking detection (FTN-RAM only)	
Operation temperature	-20 - +60°C (-4 - +140°F)			
Environment humidity	95% max.			
Weatherproof	IP55			
Mounting	Wall (Outdoor, Indoor)			
Mounting height	0.8 - 1.2 m (2'7" - 3'11")			
Weight	100 g (3.5 oz.)		190 g (6.7 oz.)	
Accessories	screw (3×20 mm)×2		Connector for POWER and ALARM, connector for TROUBLE, plate nut×2, screw (M3×10 mm)×2, screw (3×20 mm)×4, sponge for transmitter	

\*Specifications and design are subject to change without prior notice.

# COVERAGES

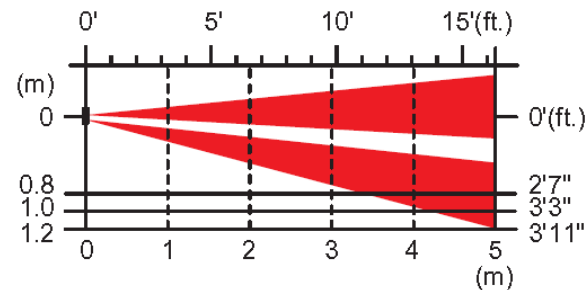


Top view

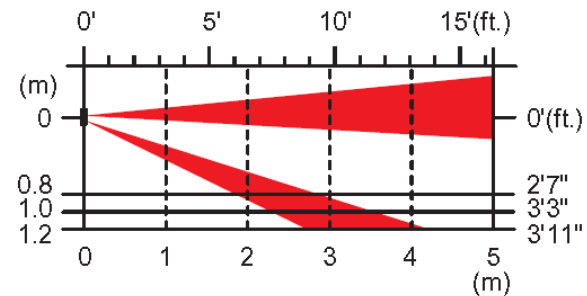


Side view

5m detection length



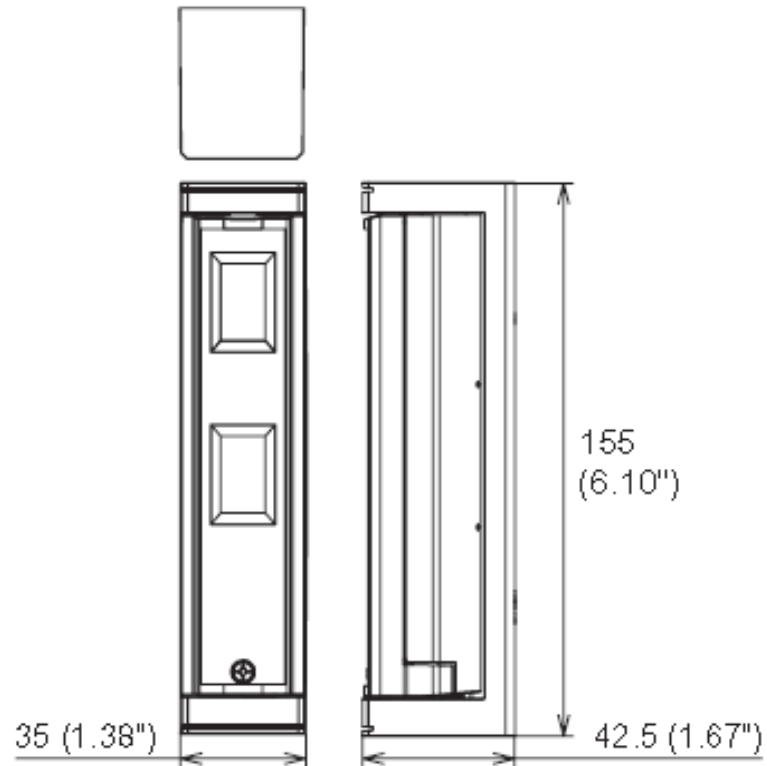
2m detection length



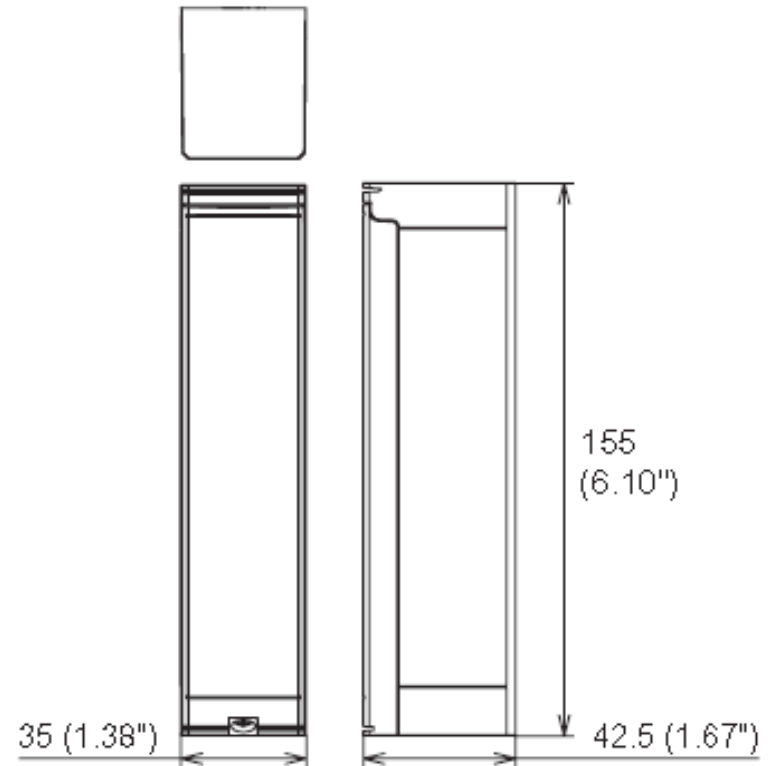


# DIMENSION

**Main unit**



**Separate box**



Unit: mm (inch)