

# SCB-C28

## 4ch Isolated Digital Input & 4ch Power Relay Output RS485 module



### Specifications

<b>Input Channel</b>	4 digital input channel
<b>Output Channel</b>	4 digital output channel
<b>Counter Channel/Frequency</b>	4 / 100Hz
<b>Communication Interface</b>	RS-485
<b>Communication Speed</b>	Baud rate from 1.2 Kbps to 115.2 Kbps
<b>Relay Type</b>	2 Form A(R1,R2), 2Form C(R3, R4)
<b>Transmission distance</b>	500M
<b>Signal LED</b>	Power on, all input channels
<b>Dual watchdog</b>	Reset circuit module / Host operating status
<b>Power supply</b>	Screw terminal, or external DC adapter
<b>Power consumption:</b>	2.7W
<b>Dimension</b>	151 x 75 x 26 mm

### Introduction

**SCB-C28** provides with 4 optical isolated digital input channels and 4 power relays output. All channel features screw terminals for convenient connection of field signals as well as LED's to indicate channel status. SCB-C28 can be easily control by SCB-C08.

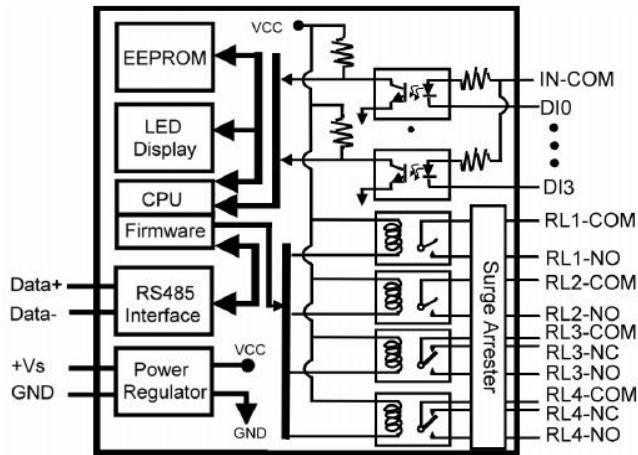
**NUUO, INC.**

Room 505, B Block, No.18, Sihyuan st. Jhongjheng District, Taipei, Taiwan (R.O.C)  
 TEL: +886-2-2362-2260 FAX: +886-2-2362-2296

**1. Connection between SCB-C08 and SCB-C28**



**2. Block Diagram**



**3. Application Note**

