

iWISE™
Models: iWISE 815DTG3
iWISE 825DTG3



U.S. Patent Number:

This product is protected under Patent No. US 7,126,476 B2. Other patents pending.

CE Compliance Section (European and German versions):

Risco Ltd. hereby declares that this equipment is in compliance with the essential requirements and other relevant provisions of Directive 1999/5/EC. For the CE Declaration of Conformity please refer to our website: www.riscogroup.com



EN50131-1 Grade 3*
EN50131-2-4 Grade 3*
EN50131-6 Type C
EN50130-5 Class II
EN50130-4
* Grade 2 when installed with swivel

Ce produit répond aux exigences du référentiel de certification NF324-H58
Type 3 (selon les référentiels NF 324 H58, NF C 48-225 et NF C 48-435).

iWISE 815DTG3/825DTG3 applicable countries (European version):

Table listing applicable countries: AT, BE, CY, CZ, DK, EE, FI, FR, DE, GR, HU, IE, IT, LV, LT, LU, MT, NL, PL, PT, SE, SL, ES, SK, GB, BG, RO, TR, CH, NO

iWISE 815DTG3/825DTG3 applicable countries (German Version):

AT, CZ, SL, DE, TR, RU, EE

iWISE 815DTG3/825DTG3 FCC compliance Section (US version):
FCC Part 15 Note:

This equipment has been tested and found to comply with the limits for a Class B digital device, pursuant to Part 15 of the FCC rules. These limits are designed to provide reasonable protection against harmful interference in a residential installation.

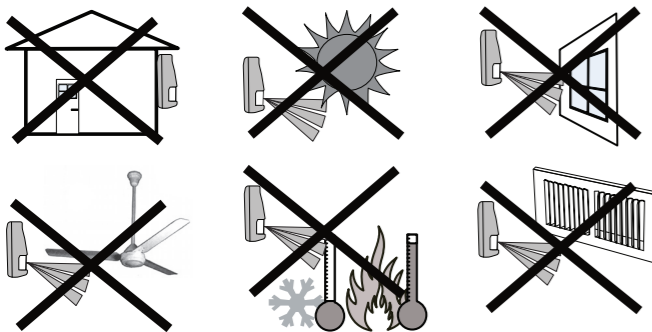
However, there is no guarantee that interference will not occur in a particular installation. If this equipment does cause harmful interference to radio or television reception, which can be determined by turning the equipment off and on, the user is encouraged to try to correct the interference by one or more of the following measures:

- Reorient or relocate the receiving antenna.
• Increase the separation between the equipment and receiver.
• Connect the equipment to an outlet on a circuit different from that to which the receiver is connected.
• Consult the dealer or an experienced radio/TV technician.

FCC Warning:

The manufacturer is not responsible for any radio or TV interference caused by unauthorized modifications to this equipment. Such modifications could void the user's authority to operate the equipment.

FCC ID: JE4CSMDT



ENGLISH

The iWISE 815DTG3/825DTG3 detectors are the ultimate motion detectors for professional installations, incorporating both Anti-Mask and Anti-Cloak™ Technologies (ACT™), adhering to new environmentally friendly guidelines.

iWISE 815DTG3/825DTG3 detectors are available in 15m and 25m models, and include built-in end-of-line (EOL) resistors to simplify installation.

Installation / Maintenance

- 1. Mounting - The iWISE 815DTG3/825DTG3 can be mounted either on a flat surface or on a wall corner (corner mounting).
• Using a suitable tool, open the following knockouts on the detector's base (see Figure 1).

Note: If a back tamper is to be used it is mandatory to screw the tamper back plate to the wall (or wall corner).

- 2. To select the correct vertical adjustment position for wide angle lens, use the scale on the bottom left hand side of the PCB as follows:

Table: Mounting height and scale position based on room size. Columns: Mounting Height, L - LONG, S - SHORT. Rows: For 815DTG3 (2.1m-2.7m), For 825DTG3 (1.8m-2.0m).

Note: For Corridor installations, select position to 'LONG' and mount the detector at 2.5m/8'2" height.

- 3. Set jumpers (see Jumper Setting section).

IMPORTANT: On the face of the Microwave, you will find a colored dot, this represents the Microwave channel. When installing two detectors in near locations, it is recommended that these dots (channels) are not of the same color. Example: Two Red should be avoided

Note: Reset the detector after each change made to the settings.

- 4. Install the front cover back to its place (in a reverse sequence of the removal).
5. Perform a Walk test (see Walk Test section).
6. Changing Lenses (see Figure 2).

Terminal Wiring (see Figure 5)

Table: Terminal Description. Columns: Terminal, Description. Rows: - 12 +, ALARM, TAMPER, FAULT/AM, LED, SET.

**Activation Signal-
If 12VDC is applied, and the LED/SET Input Jumper is on 12v position
- Or -
0V is applied and LED/SET Input Jumper is on 0V position

Jumper Settings

Table: Jumper Function. Columns: Jumper, Function. Rows: SW1-1: LED, SW1-2: ACT, SW1-3: Green Line, SW1-4: Self Test.

Table: Jumper Function. Columns: Jumper, Function. Rows: OFF (Default), J1 - Alarm EOL, J2 - Tamper EOL, J3 - FAULT/AM EOL, J4 - LED/SET INPUT.

Walk Test

Important: After applying power to the detector, close the cover within 2 minutes as after this period AM initialization will start.

- 1. Two minutes after applying power (warm-up period), walk test the Detector over the entire protected area to verify proper operation of the unit (see Figure 6).
2. The MW range can be adjusted by using the potentiometer located on the PCB. It is important to set the potentiometer to the lowest possible setting that will still provide enough coverage for the inner boundary protected area (see Figure 4).

MW range adjustment (Figure 4)

Table: MW range adjustment settings. Columns: 1 Over power, 2 Under power, 3 Correct adjustment; A Detector, B Corridor.



LEDs Display

Table: LEDs Display. Columns: LED, State, Description. Rows: Yellow, Green, Red, All LEDs.

Note: AM and Trouble indications continue until masking is removed or trouble is corrected.

Technical Specification

Table: Electrical, Environmental, Optical, Physical specifications. Columns: Specification, Value.

*** Power to be supplied by 5A max. power source using safety approved wires, with a min Gauge of 20AWG.

FRANÇAIS

Les détecteurs iWISE 815DTG3/825DTG3 sont les tout derniers modèles de détecteurs de mouvement conçus pour les établissements professionnels. Ils intègrent deux technologies de pointe: Anti-masque et Anti-Cloak™ (ACT™) Anti-camouflage, qui répondant aux nouvelles directives de protection de l'environnement et se conforment aux exigences des normes PD6662, EN50131-1, EN50131-2-4 Grade 3, et de la norme NF&A2P Type 3.

Disponibles en modèles 15m et 25m, les détecteurs iWISE 815DTG3/825DTG3 comprennent des résistances de Fin de ligne (EOL = end-of-line) intégrées qui facilitent l'installation.

Installation

- 1. Montage - l'iWISE 815DTG3/825DTG3 peut être installé soit sur une surface plane soit en coin (gauche ou droit).
• A l'aide d'un outil adéquat, ouvrez les pastilles pré-percées correspondantes sur la base du détecteur (cf. Figure 1).

Remarque: En cas d'utilisation d'une autoprotection arrière, il est impératif de fixer la plaque de cette dernière en la vissant au mur (ou à l'angle du mur).

- 2. Pour définir le bon réglage vertical, positionnez l'appareil en LENTILLE GRAND ANGLE. Servez-vous de l'échelle figurant sur le côté inférieur gauche de la carte PCB (cf. Figure 6) comme suit :

Hauteur de montage et position selon la taille de la pièce :

Table: Hauteur de montage et position selon la taille de la pièce. Columns: Hauteur de montage, L - LONG, C - COURT (SHORT). Rows: Pour le 815DTG3, Pour le 825DTG3.

Remarque: Pour les installations en couloir, sélectionnez la position 'LONG' et appliquez l'option de montage à hauteur de 2,5m/8'2" .

- 3. Réglez les cavaliers (cf. § Réglage des cavaliers).

Remarque: Il est conseillé de réinitialiser le détecteur après chaque modification apportée au réglage.

- 4. Remplacez le couvercle frontal (en inversant pour cela l'ordre des étapes de la procédure de retrait).
5. Exécutez un test de passage (cf. § Test de passage).
6. Changement des lentilles (cf. Figure 2).

Câblage des Terminaux (cf. Figure 5)

Table: Terminal Description. Columns: Terminal, Description. Rows: - 12 +, ALARM, TAMPER, FAULT / AM, LED, SET.

**Signal d'Activation-
Si une tension de 12VCC est appliquée et que le Cavalier d'entrée LED/SET est en position 12V -Ou-

Si la Terre (GND) est reliée, le Cavalier d'entrée LED/SET est en position 0V.

Réglage des cavaliers

Table: Cavalier Fonction. Columns: Cavalier, Fonction. Rows: SW1-1: LED, SW1-2: ACT, SW1-3: Green Line, SW1-4: Test automatique.

Ajuste do Alcance do Microondas (ver Figura 4)

1 Energia em excesso	A Detector
2 Energia fraca	B Corredor
3 Ajuste correto	



Visualização dos LEDs

LED	Estado	Descrição
Amarelo	Aceso	Deteção de Infravermelho Passivo
	Piscando	Problema no canal de Infravermelho Passivo
Verde	Aceso	Deteção no Microondas
	Piscando	Problema no canal de Microondas
LED	Estado	Descrição
Vermelho	Aceso	ALARME
	Piscando	Falha / Deteção Anti-Máscara
Notas: A deteção Anti-Máscara é ativada somente no modo "Unset". (ver a seção Terminais de Fiação, terminal SET).		
Todos os LEDs	Piscando (sucessivamente)	Ao conectar, os LEDs piscarão consecutivamente até o final do período de aquecimento (2-3 minutos). Ao final do período de aquecimento, o LED VERMELHO continuará piscando até o final da iniciação do AM.

Notas: As indicações de AM e Problema continuam até que o mascaramento seja removido ou o problema solucionado.

Especificações Técnicas

Elétricas	
Consumo de Corrente	16mA a 12VDC (Típico) 41mA a 12VDC (Máx.)
Requisitos de voltagem	9 -16VDC
Contatos de alarme	24VDC, 0.1A
Contatos de Tamper	24VDC, 0.1A
Contatos FALHA/AM	24VDC, 0.1A
Ambientais	
Imunidade a RF	De acordo com EN50130-4
Temperatura de operação	-10C a 55C (14F a 131F)
Temperatura de armazenamento	-20C a 60C (-4F a 140F)
Ótica	
Filtragem	Proteção contra luz branca
Físicas	
Tamanho	127.6 x 64.2 x 46.6 mm (5 x 2.5 x 1.84 pol.)
Peso	120 gr. (4.2 oz.)

RISCO Group Limited Warranty

RISCO Group and its subsidiaries and affiliates ("Seller") warrants its products to be free from defects in materials and workmanship under normal use for 24 months from the date of production. Because Seller does not install or connect the product and because the product may be used in conjunction with products not manufactured by the Seller, Seller cannot guarantee the performance of the security system which uses this product. Seller's obligation and liability under this warranty is expressly limited to repairing and replacing, at Seller's option, within a reasonable time after the date of delivery, any product not meeting the specifications. Seller makes no other warranty, expressed or implied, and makes no warranty of merchantability or of fitness for any particular purpose.

In no case shall seller be liable for any consequential or incidental damages for breach of this or any other warranty, expressed or implied, or upon any other basis of liability whatsoever.

Seller's obligation under this warranty shall not include any transportation charges or costs of installation or any liability for direct, indirect, or consequential damages or delay.

Seller does not represent that its product may not be compromised or circumvented; that the product will prevent any personal injury or property loss by burglary, robbery, fire or otherwise; or that the product will in all cases provide adequate warning or protection. Buyer understands that a properly installed and maintained alarm may only reduce the risk of burglary, robbery or fire without warning, but is not insurance or a guaranty that such event will not occur or that there will be no personal injury or property loss as a result thereof. Consequently seller shall have no liability for any personal injury, property damage or loss based on a claim that the product fails to give warning. However, if seller is held liable, whether directly or indirectly, for any loss or damage arising under this limited warranty or otherwise, regardless of cause or origin, seller's maximum liability shall not exceed the purchase price of the product, which shall be complete and exclusive remedy against seller.

No employee or representative of Seller is authorized to change this warranty in any way or grant any other warranty.

WARNING: This product should be tested at least once a week.

RISCO Group Contacting Info

UK Tel: +44-161-655-5500 E-mail: technical@riscogroup.co.uk	U.S.A Tel: +1-631-719-4400 E-mail: support-usa@riscogroup.com
ITALY Tel: +39-02-66590054 E-mail: info@riscogroup.it	BRASIL Tel: +1-866-969-5111 E-mail: support-br@riscogroup.com
SPAIN Tel: +34-91-490-2133 E-mail: support-es@riscogroup.com	CHINA Tel: +86-21-52390066 E-mail: support-cn@riscogroup.com
FRANCE Tel: +33-164-73-28-50 E-mail: support-fr@riscogroup.com	POLAND Tel: +48-22-500-28-40 E-mail: poland@riscogroup.com
BELGIUM Tel: +32-2522-7622 E-mail: support-be@riscogroup.com	ISRAEL Tel: +972-3-963-7777 E-mail: info@riscogroup.com

Figure 1.
Back cover - Knockouts

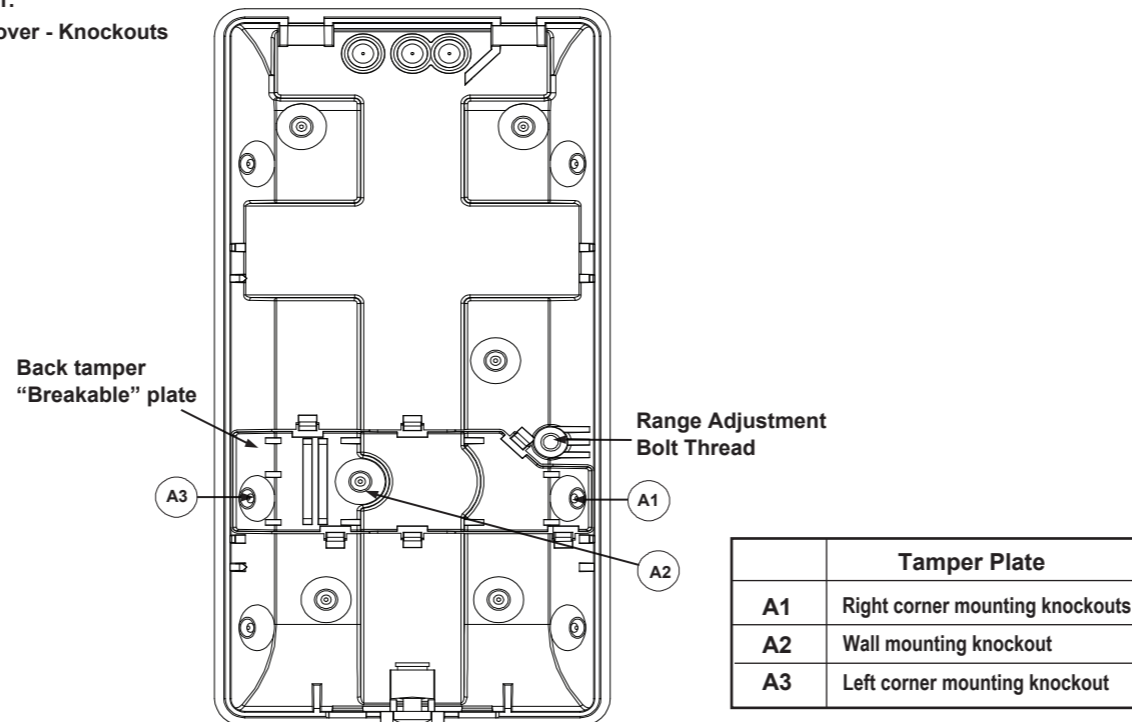


Figure 2.
Lens Replacement

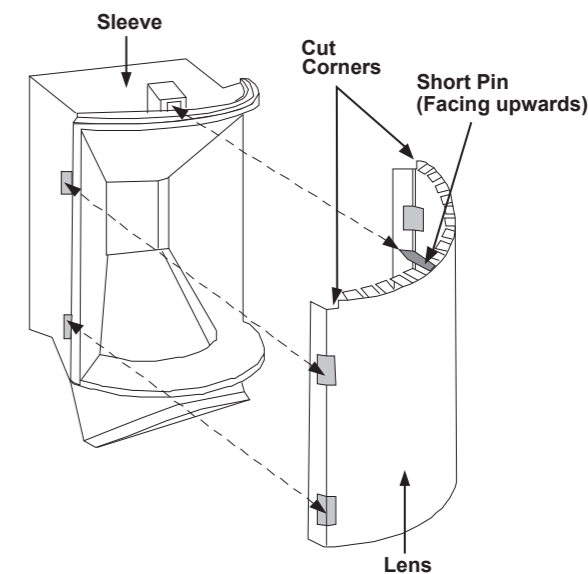


Figure 3.
Schematic of EOL Resistors Tamper / Alarm EOL Jumpers

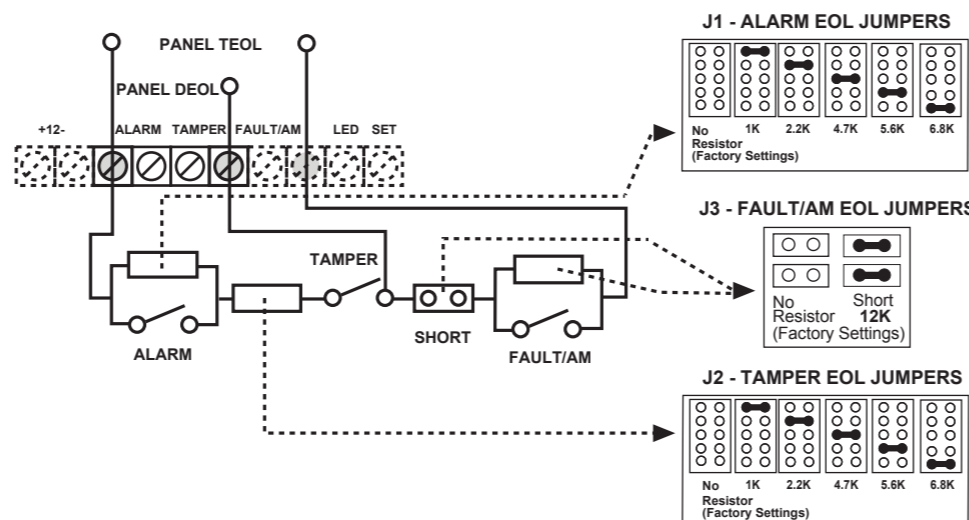


Figure 4.
MW range adjustment

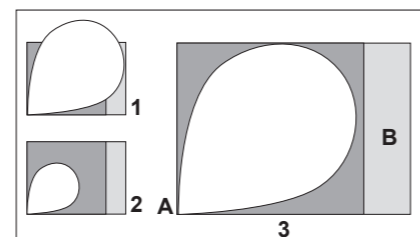


Figure 5.
Terminal Wiring

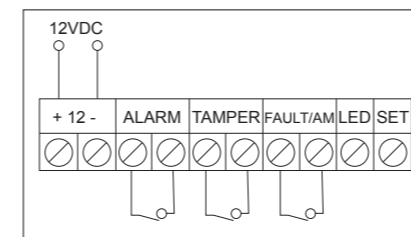


Figure 6.
IWISE 815DTG3/825DTG3 Lense and microwave Range

